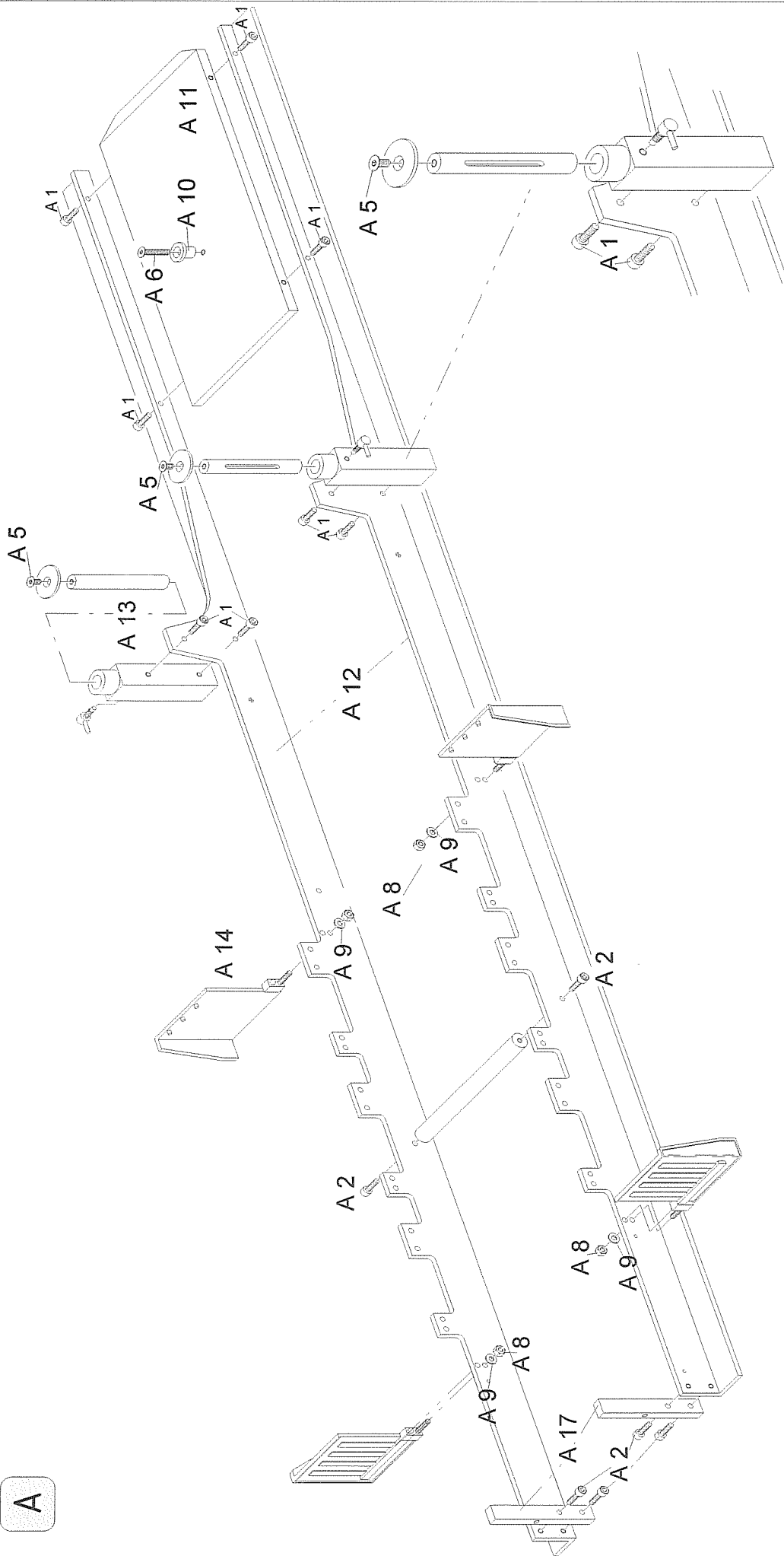




1:14 3-Achs-Flachbettauflieger Ver.II

1:14 3-Axle Flatbed-Trailer Ver.II

A



- A 5  
2x
A 1  
8x
- M3 x 8
M3 x 6
- M3 x 16
A 2  
6x
- A 8  
4x
A 9  
4x
- M3
3,2 x 6,5
- A 6  
1x
M3 x 8
- A 10  
1x

**B**

**B1**  
M2 x 6  
4x

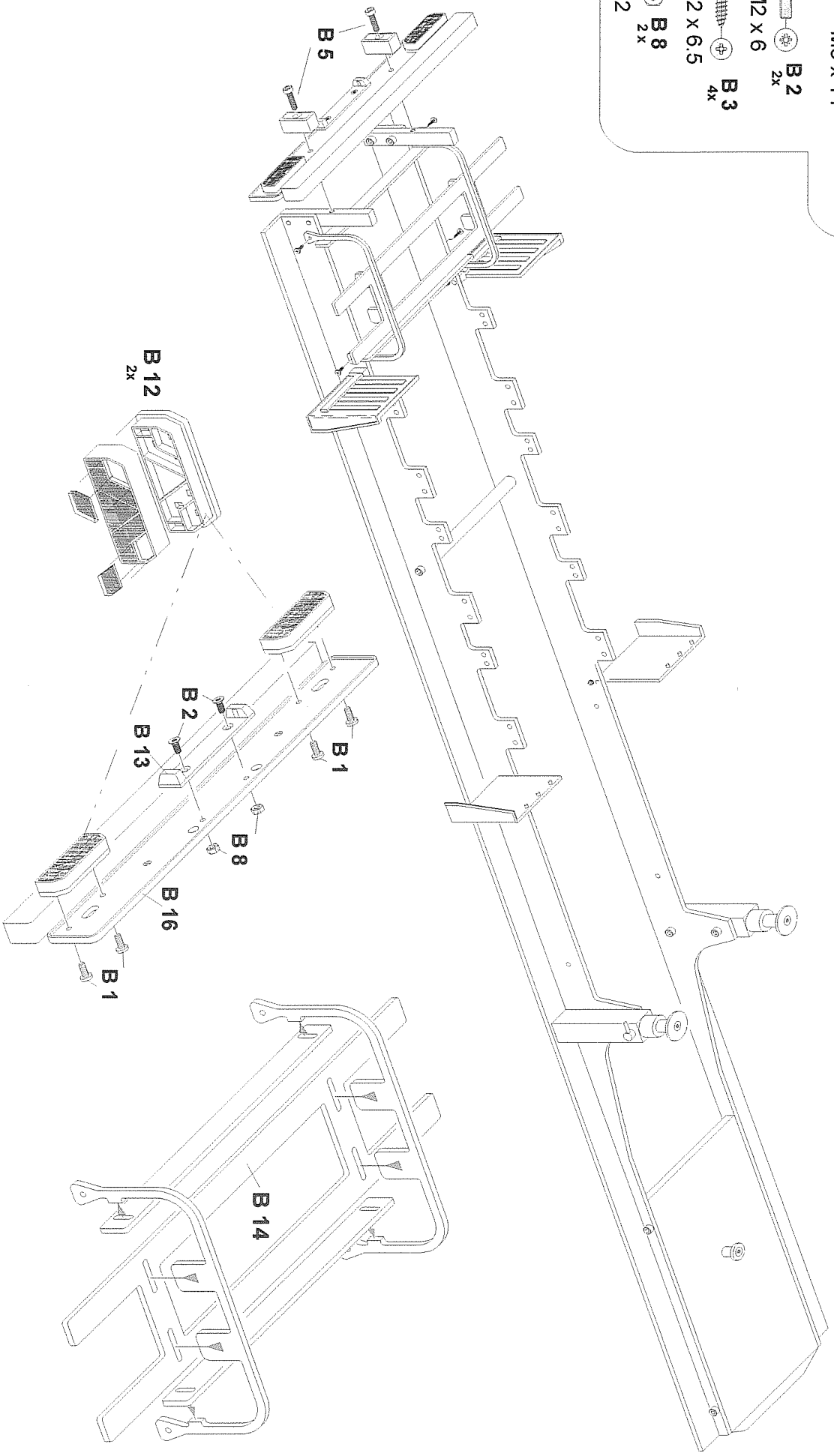
M3 x 14

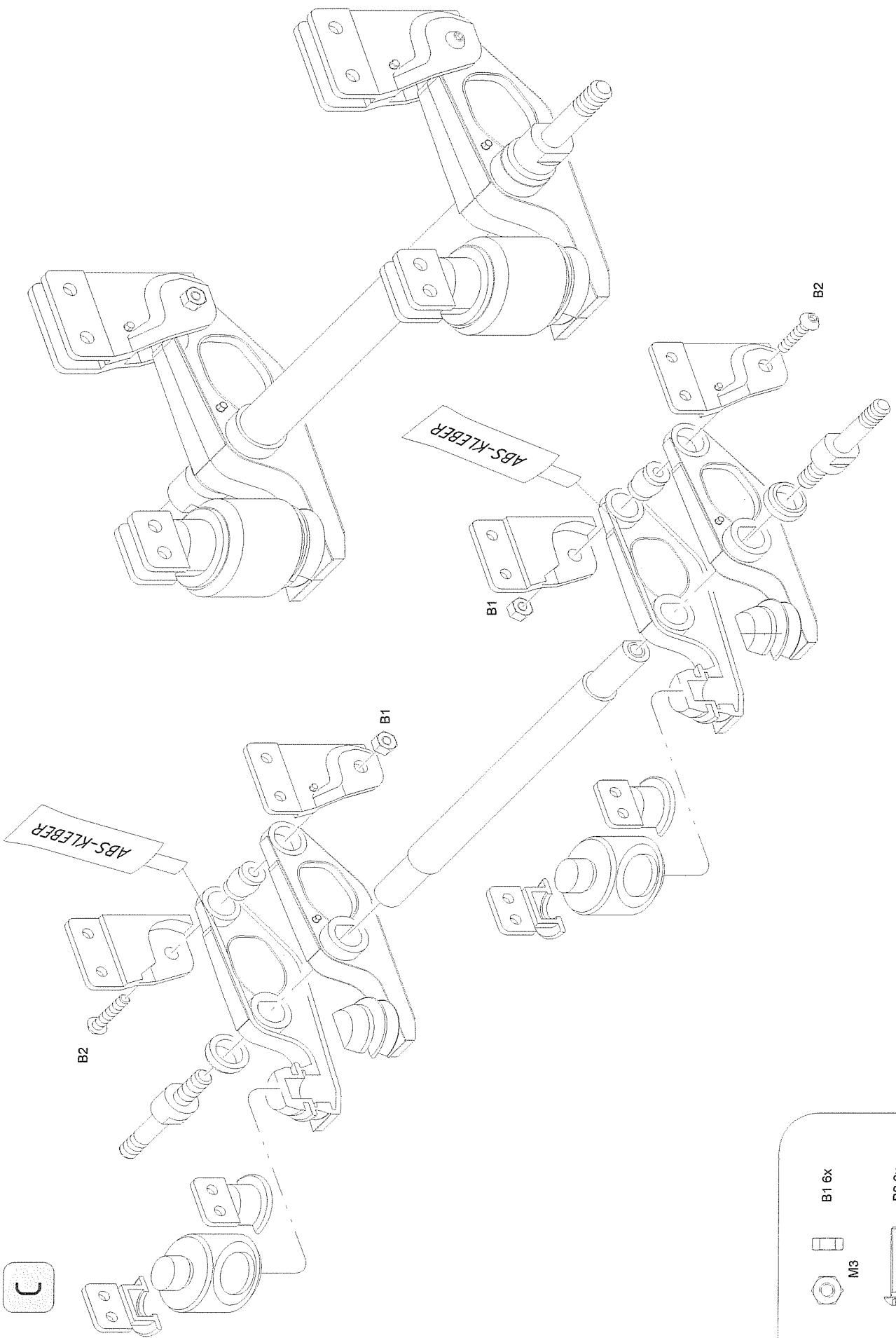
**B5**  
2x




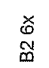
**B2**  
M2 x 6  
2x

**B3**  
2.2 x 6.5  
4x

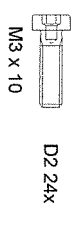
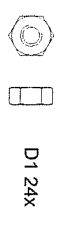
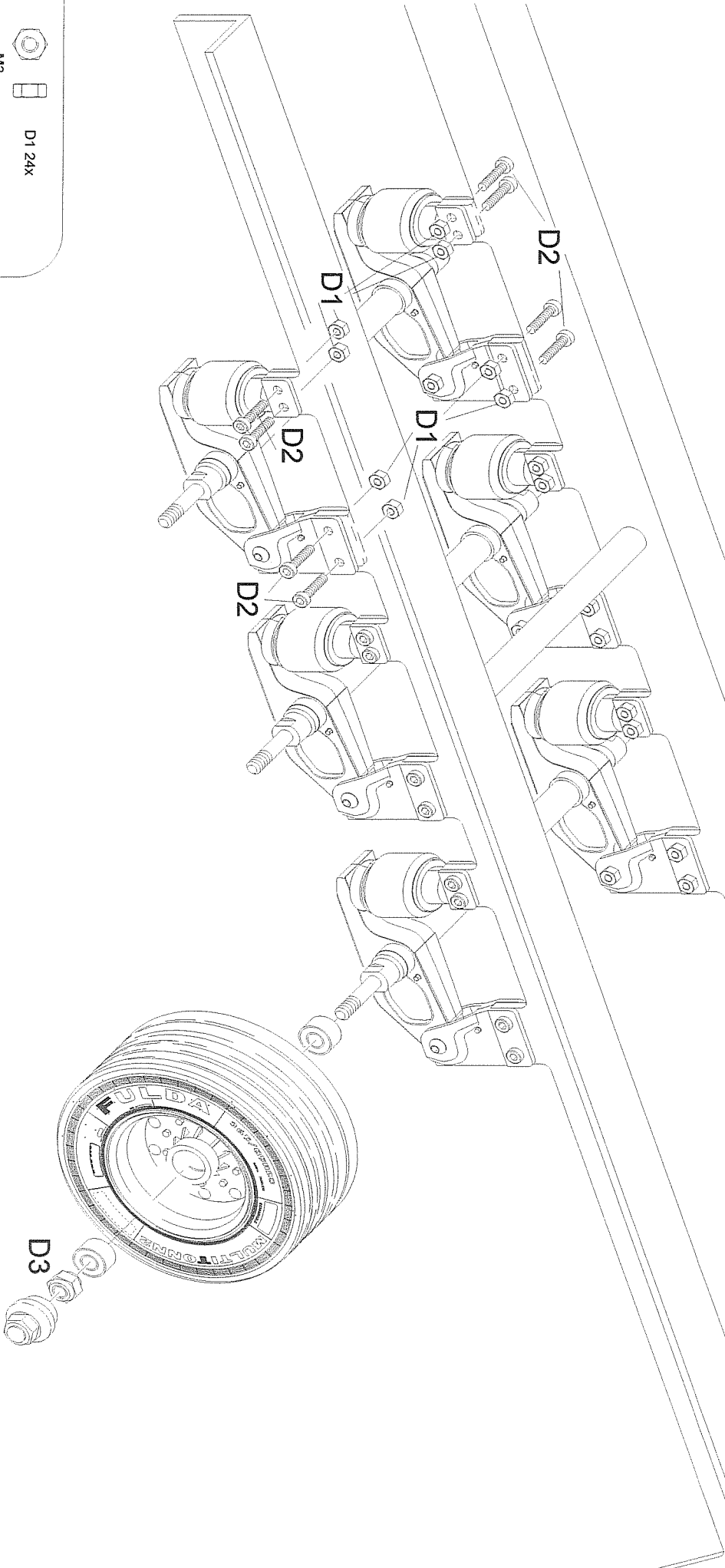
**B8**  
M2  
2x





-  B1 6x
-  M3
-  B2 6x
-  M3x14

D



Stopmutter M5

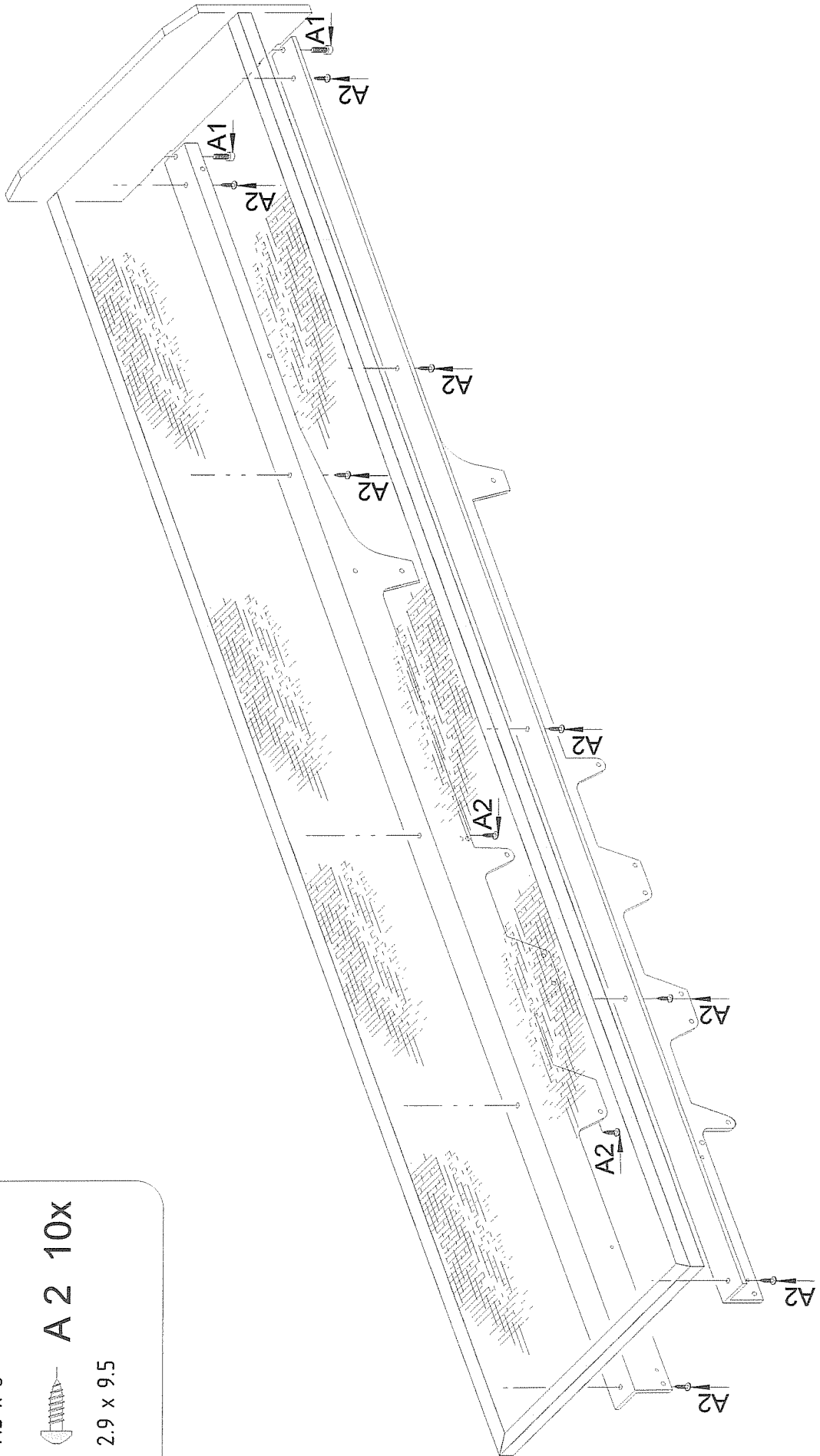
E



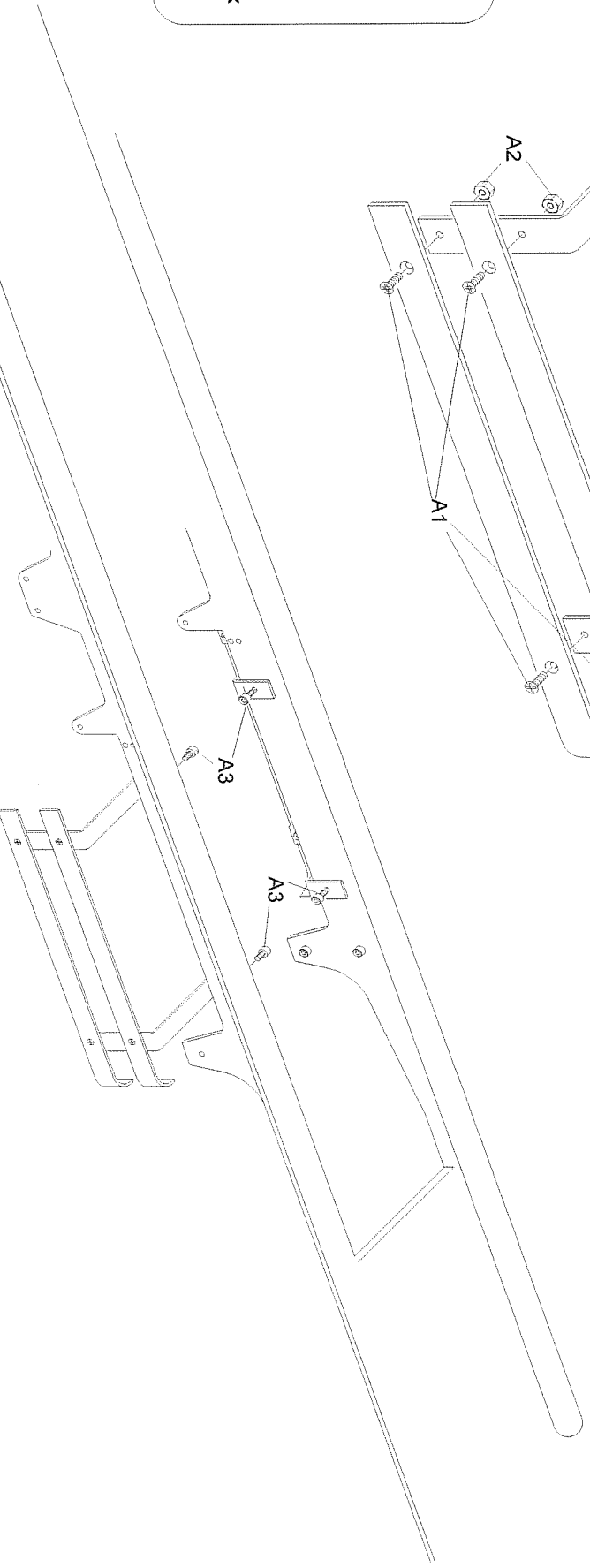
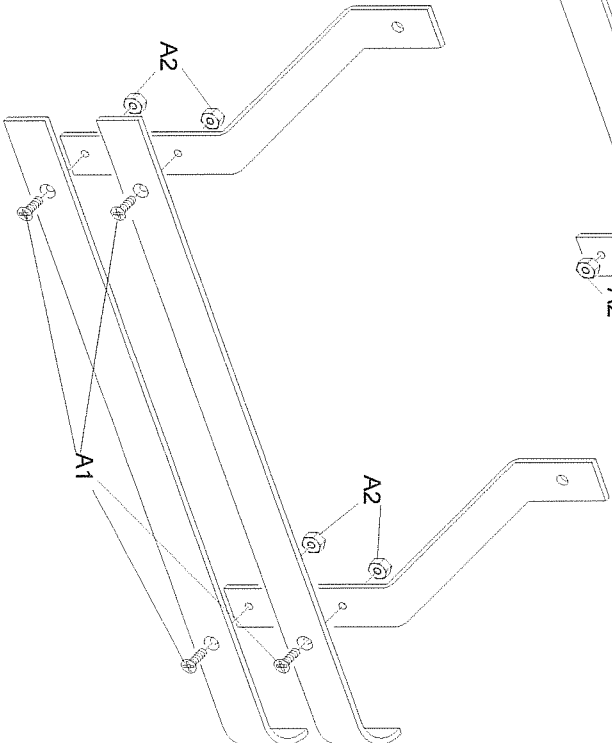
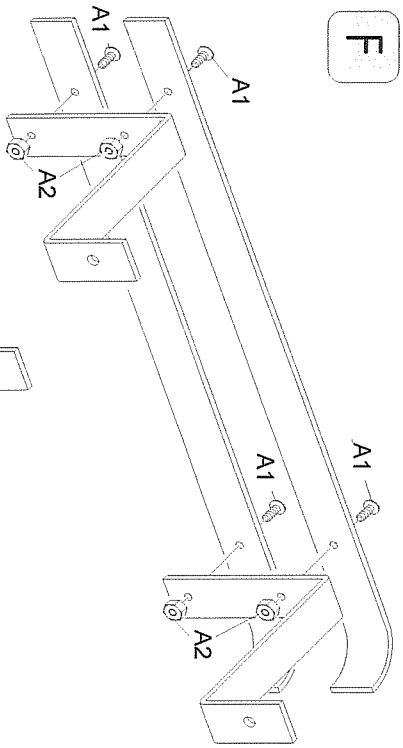
M3 x 8

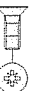


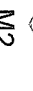

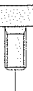


2.9 x 9.5



F



-  A1 8x
-  M2 x 6
-  M2
-  A2 8x
-  M3 x 6
-  A3 4x



TAMIYA-CARSON  
Modellbau GmbH & Co. KG

Werkstraße 1 // D-90765 Fürth // [www.carson-modelsport.com](http://www.carson-modelsport.com)

**03675 7333 343**

Service-Hotline for Germany: Mo-Do 8.00-16.00 Uhr // Fr 8.00 -12.30 Uhr

Carson-Model Sport // Abt. Service // Mittlere Mutsch 9 // 96515 Sonneberg

[www.service.carson-modelsport.com](http://www.service.carson-modelsport.com)